

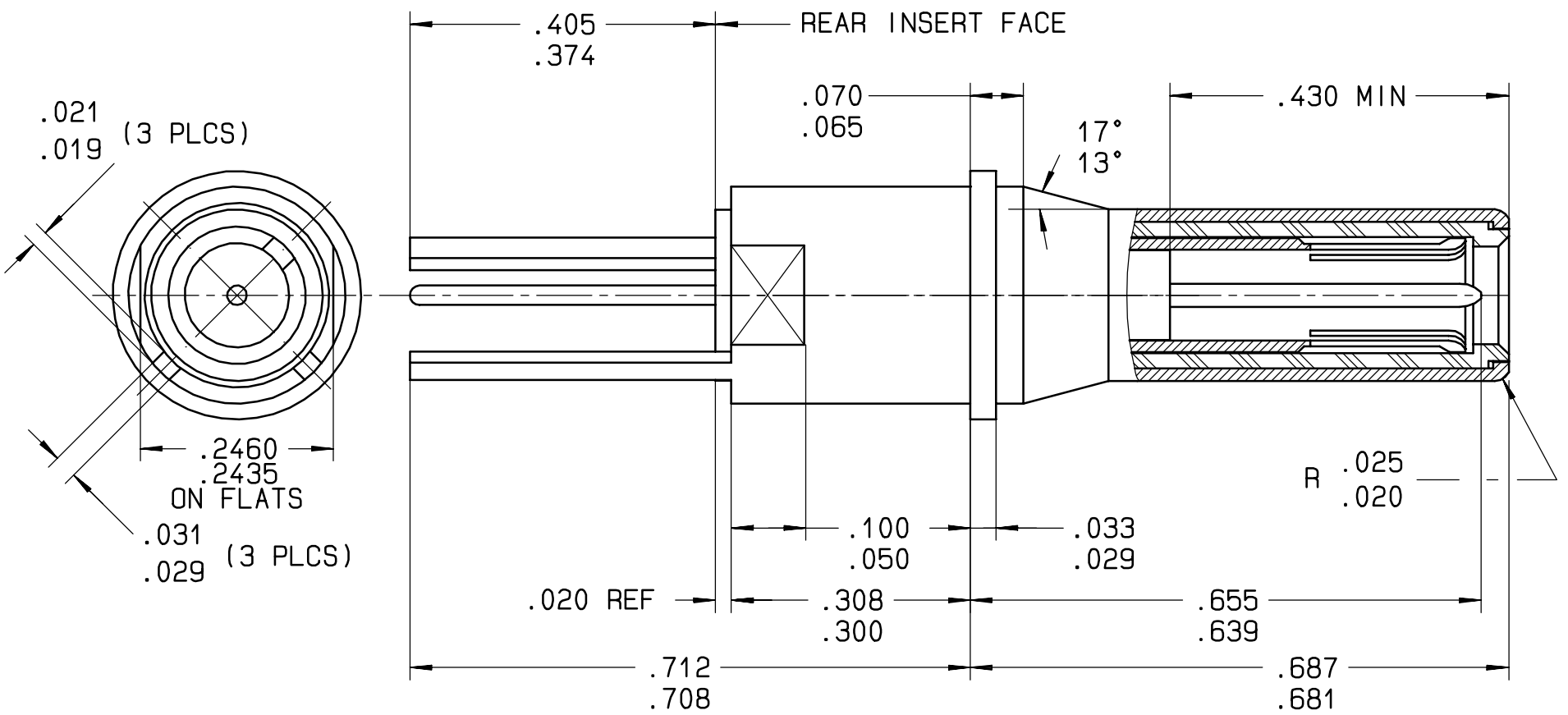
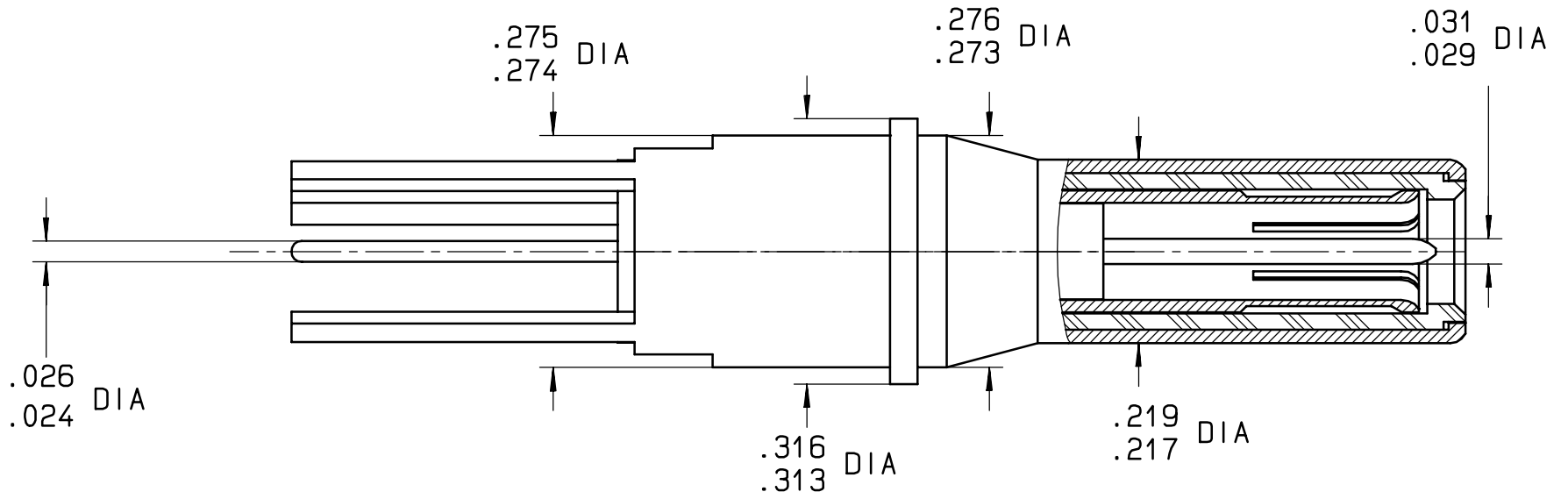


Series
BPX

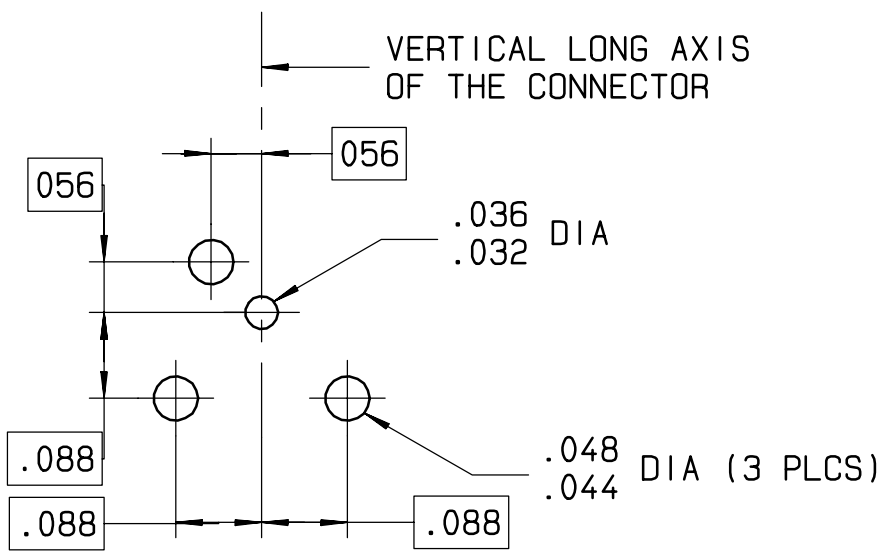
SIZE 8 FRONT RELEASE FRONT REMOVABLE
PC POST TRIAX CONTACT
SPL AVTECH

Issue:
09 JAN 98

Page
1 / 1



PC DRILL PATTERN



COMPONENT SIDE PWB HOLE PATTERN

MATERIAL AND FINISH :
 OUTER CONTACT: BRASS - GOLD OVER NICKEL
 INTERMEDIATE CONTACT: BERYLLIUM COPPER ALLOY
 GOLD OVER NICKEL
 INSULATORS - PTFE
 EXTRACTION TOOL : RADIALL P/N: 282549009

This information is given as an indication. In the continual goal to improve our products, we reserve the right to make any modifications judged necessary.

4112-9610

CREATION				
PEN: .				
NOM: MACARI				
DATE: 05 FEV 92	09 JAN 98	REDRAW NEW VERSION	VALGRESY	.
APPR.: .	Issue	Revisions	Name	Approved